



IPL, Sprinter 330, 9643203-01, 9643203-62, 2005-11

Replaces AP0302003

Sprinter 330



Factory:

Product Group:

Sub Group:

Publication Date:

Publication Number:

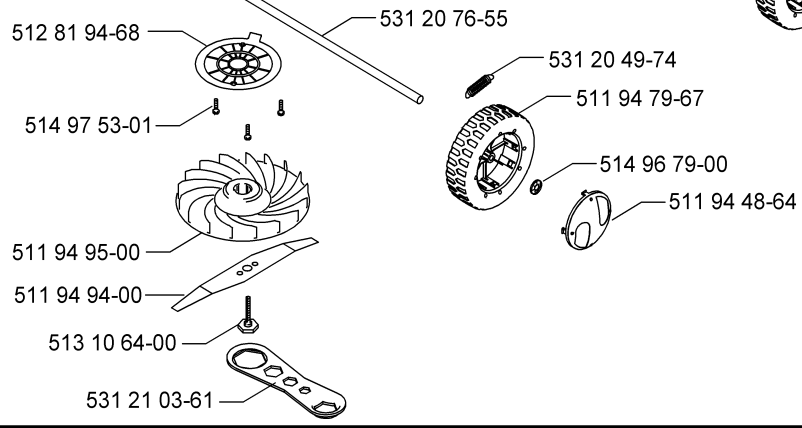
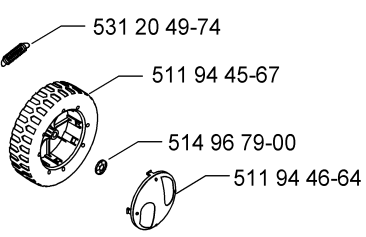
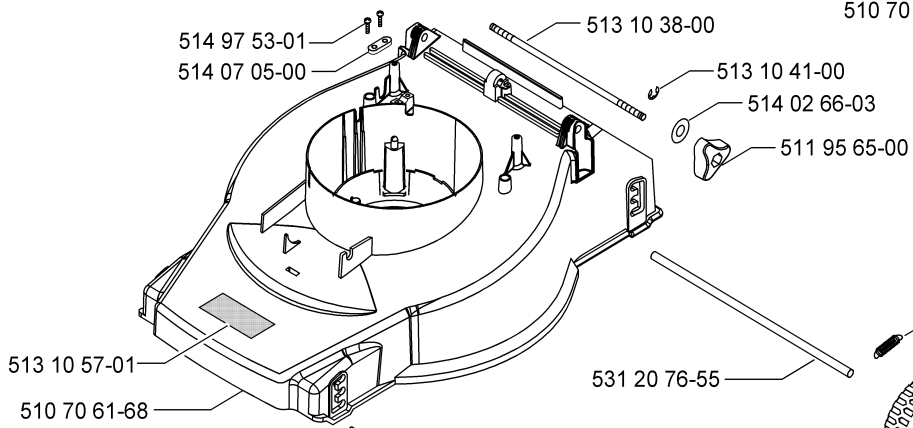
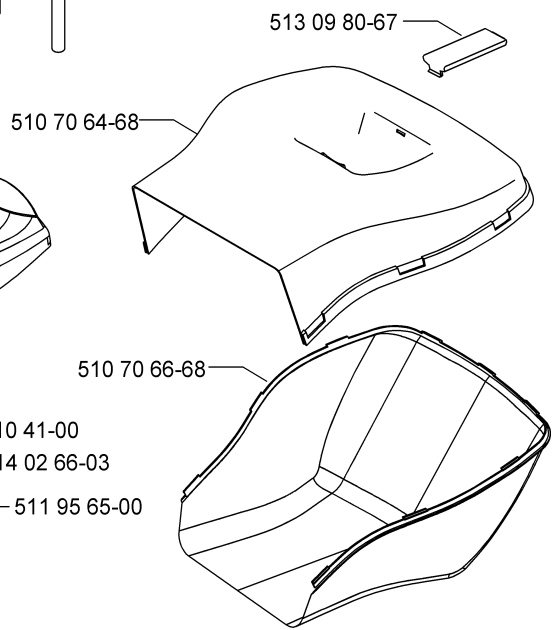
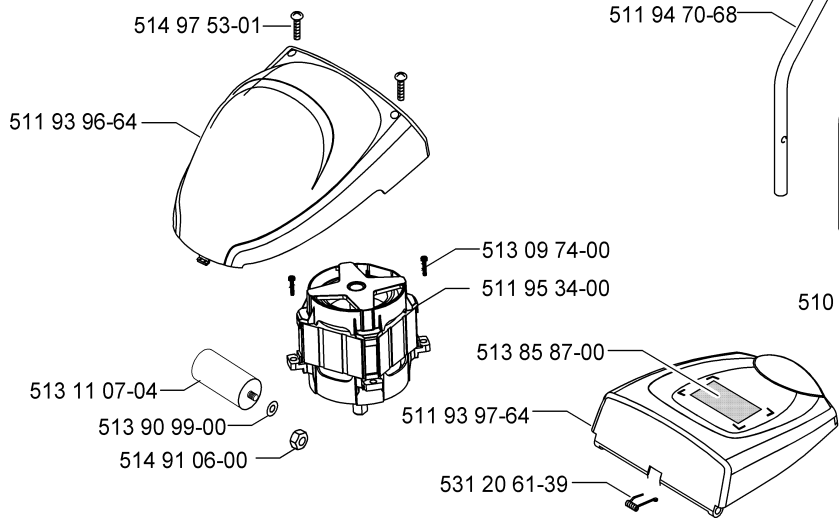
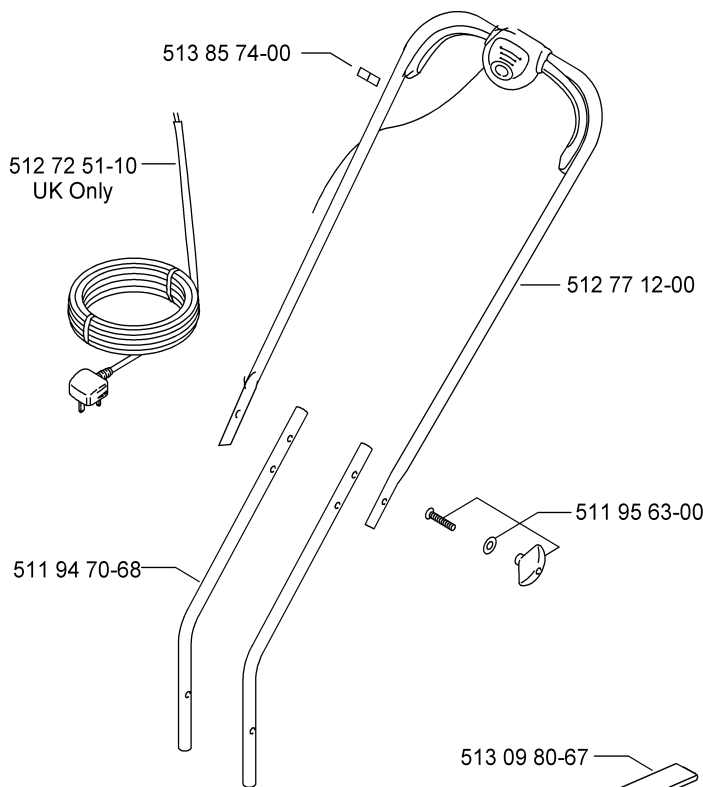
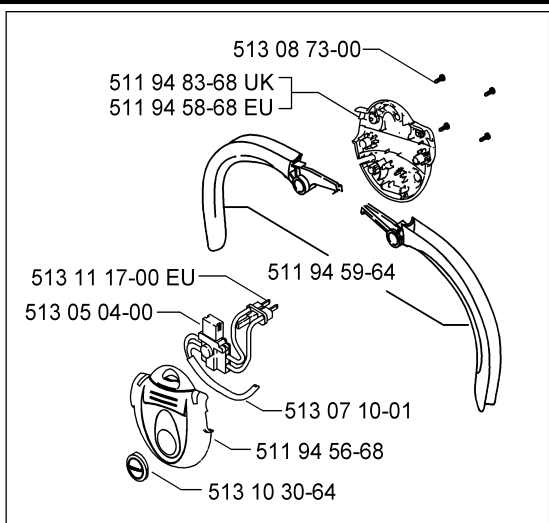
FLM - Newton Aycliffe

OM 78

Electric Wheeled: 7891

14/11/05

AP0511005



Part Number	Description	Qty	Note
510 70 61-68	DECK	1	
510 70 64-68	GRASSBOX UPPER	1	
510 70 66-68	GRASSBOX LOWER	1	
513 07 10-01	KIT INTERNAL LEAD	1	
511 93 96-64	MOTOR COVER	1	
511 93 97-64	SAFETY FLAP	1	
511 94 45-67	WHEEL	2	
511 94 46-64	HUB CAP	2	
511 94 48-64	HUB CAP	2	
511 94 56-68	SWITCHBOX UPPER	1	
511 94 58-68	SWITCHBOX LOWER EURO	1	EU
511 94 59-64	LEVER SWITCHBOX	2	
511 94 70-68	HANDLE LOWER	2	
511 94 79-67	WHEEL	2	
511 94 83-68	SWITCHBOX LOWER	1	
511 94 94-00	BLADE	1	
511 94 95-00	IMPELLER	1	
511 95 34-00	MOTOR	1	
511 95 63-00	HANDLE FIXING KIT	2	
511 95 65-00	WING KNOB	2	
512 72 51-10	CABLE	1	
512 77 12-00	HANDLE UPPER	1	
512 81 94-68	FINGER PROTECTION PLATE	1	
513 05 04-00	SWITCH	1	
513 08 73-00	SCREW	4	
513 09 74-00	SCREW	2	
513 09 80-67	HANDLE GRASSBOX	1	
513 10 30-64	LOCK OFF BUTTON	1	
513 10 38-00	TIE ROD	1	
513 10 41-00	E-CLIP	1	
513 10 57-01	LABEL MODEL	1	
513 10 64-00	BLADE BOLT	1	
513 11 07-04	CAPACITOR MOTOR	1	
513 11 17-00	PIN RETAINER	1	EU
513 85 74-00	CLIP-CABLE	2	
513 85 87-00	LABEL WARNING	1	
513 90 99-00	TOOTHLOCK WASHER	1	
514 02 66-00	WASHER	2	
514 02 66-03	WASHER	2	
514 07 05-00	CABLE CLAMP	1	
514 91 06-00	NUT	1	
514 91 98-01	BOLT	2	
514 96 79-00	WASHER STARLOCK	4	
514 97 53-01	SCREW	7	
531 20 49-74	SPRING	2	
531 20 61-39	SPRING SAFETY FLAP	1	
531 20 76-55	AXLE	2	
531 21 03-61	SPANNER	1	